

## MOUNTING PROCEDURE

### KIT SAVE CARTER DUCATI MONSTER

**DN7101**

[WWW.BARRACUDAMOTO.COM](http://WWW.BARRACUDAMOTO.COM)

## KIT

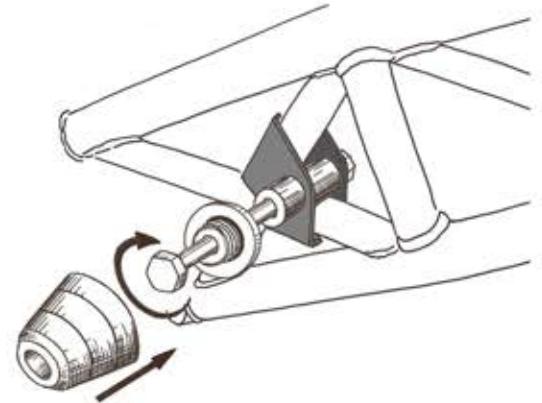
- X2. PVC ROUND HEAD
- X2. SAVE CARTER BASE DIAMETER 10
- X4. BRACKET
- X4. SPACER
- X2. BOLT 10X80
- X2. WASHER DIAMETER 10
- X2. NUT DIAMETER 10
- X8. STICKER RUBBER STRIPES



APPLY THE STICKERS RUBBER STRIPES IN THE JUNCTION POINTS OF CHASSIS  
APPLY ON ALL THE BRACKET



### RIGHT SIDE



### LEFT SIDE:

USE THE BRACKET WITH THE MORE HOLES IN THE INTERNAL SIDE AND USE IT LIKE ACCOMMODATION FOR THE PIVOT FOR THE CABLES (ATTENDANT ON THE CHASSIS).



THE FIXING SEQUENCE ABOUT CRASH PAD AND LOCALISATION OF ANCHORAGE IS REPORTED INTO THE PICTURE.

APPLY THE STICKERS RUBBER STRIPES INSIDE THE PLATES TO AVOID DIRECT CONTACTS BETWEEN THE CHASSIS AND THE PLATES BEFORE START TO FIXING; SO TO AVOID ABRASION.

**WARNING:** LEFT SIDE: FIND AND DISCONNECT THE ELECTRIC CABLES SUPPORT (ON THE INSIDE SIDE OF MOTORBIKE); USE THE SLAB THAT HAVE A CENTRAL HOLE AND A ONE MORE HOLE TO APPLY ON THE INSIDE SIDE OF MOTORBIKE, WHERE THE CHASSIS HAS THE BRACKET ATTACK FOR THE ELECTRICS CABLES PREVIOUSLY DISCONNECTED