

ASSEMBLING INSTRUCTION

CRASH PAD FITTING

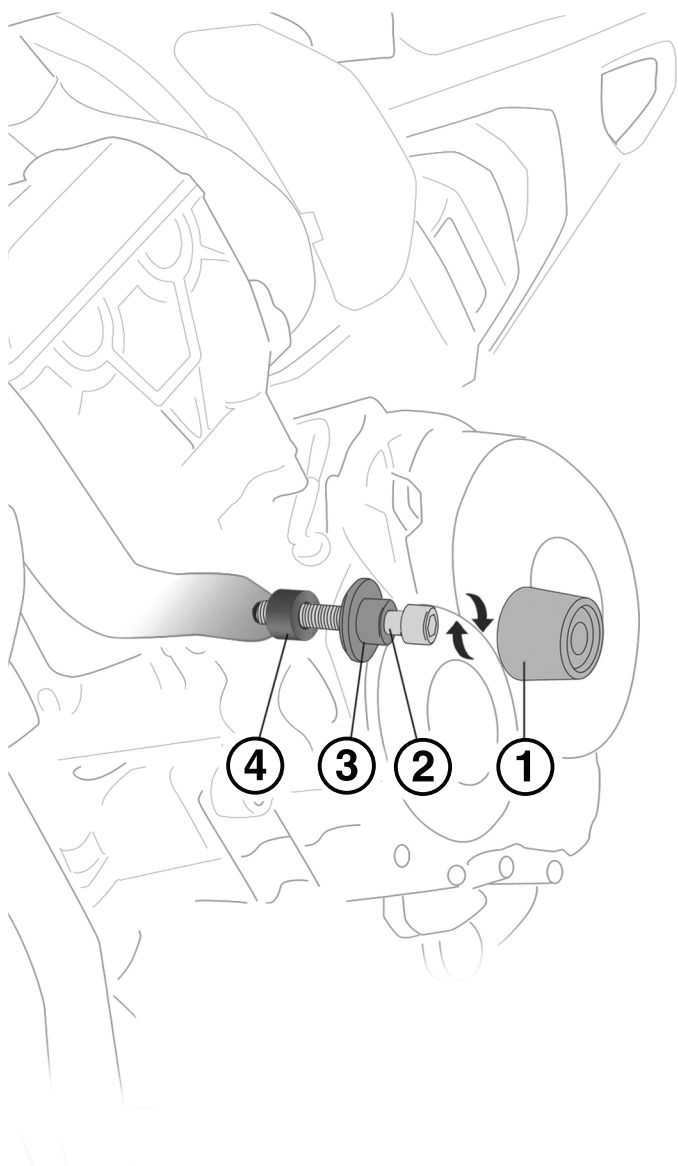
HN1101

WWW.BARRACUDAMOTO.COM

LEGEND

- | | |
|---|---|
| 1. CRASH PAD HEAD
TESTA TAMPONE
CABEZA CRASH PAD
KOPF CRASH PAD
TÊTE DE CRASH PAD | 3. BASE CRASH PAD
BASE TAMPONE
BASE CRASH PAD
BASE CRASH PAD
BASE CRASH PAD |
| 2. SCREW M12X90
VITE M12X90
TORNILLO M12X90
SCHRAUBE M12X90
VIS M12X90 | 4. SPECIFIC THICKNESS
SPESORE SPECIFICO
ESPACIADOR
ABSTANDSHALTER
ESPACEUR |

LEFT SIDE



RIGHT SIDE

