

ASSEMBLY INSTRUCTIONS

WINDSCREEN KIT KTM SUPERDUKE 1290 '17

KTM1300-17

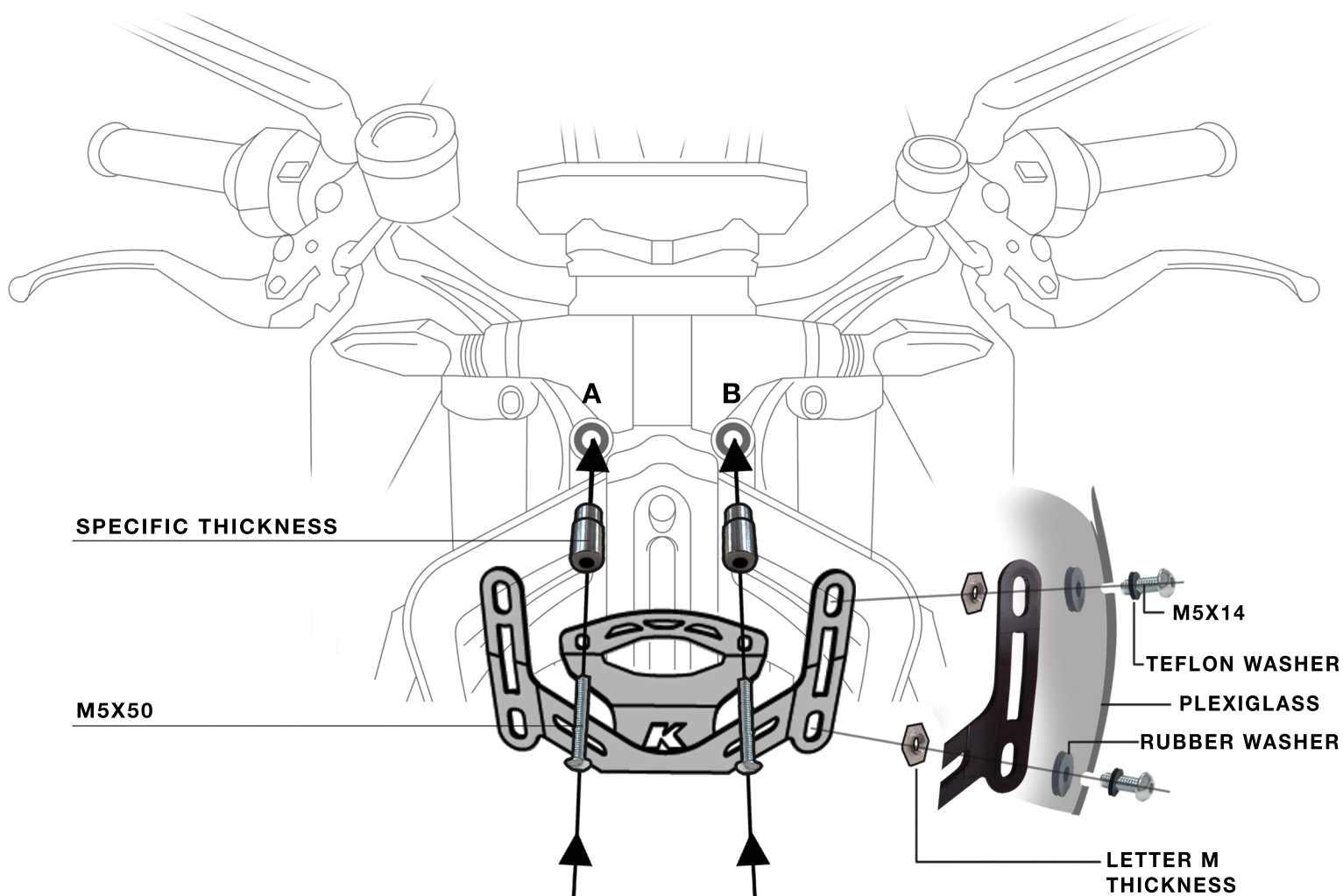
WWW.BARRACUDAMOTO.COM

KIT

- X1. SPECIFIC PLEXIGLASS
- X1. SPECIFIC BRACKET
- X2. SPECIFIC THICKNESS
- X2. M5X50 BOMBED HEAD ALLEN SCREW
- X4. M5X14 BOMBED HEAD ALLEN SCREW
- X4. Ø5 TEFLON WASHER
- X4. LETTER M THICKNESS
- X4. RUBBER WASHER

ASSEMBLY PROCEDURE:

1. REMOVE THE ORIGINAL SCREWS OVER THE HADLIGHT HIGHLIGHTED IN THE PICTURE.
2. MOUNT THE SPECIFIC BRACKET USING THE SPECIFIC THICKNESS AND THE M5X50, AS SHOWN.
3. FIND THE RIGHT POSITION OF THE WINDSCREEN ON THE PREVIOUSLY MOUNTED BRACKET AND PROCEED WITH THE TIGHTENING OF ALL BOLTS, AS SHOWN IN THE PICTURE.



IMPORTANT: DO NOT TIGHTEN IN EXCESSIVE WAY TO AVOID BREAKAGE OF THE PLEXIGLASS.