

MOUNTING PROCEDURE

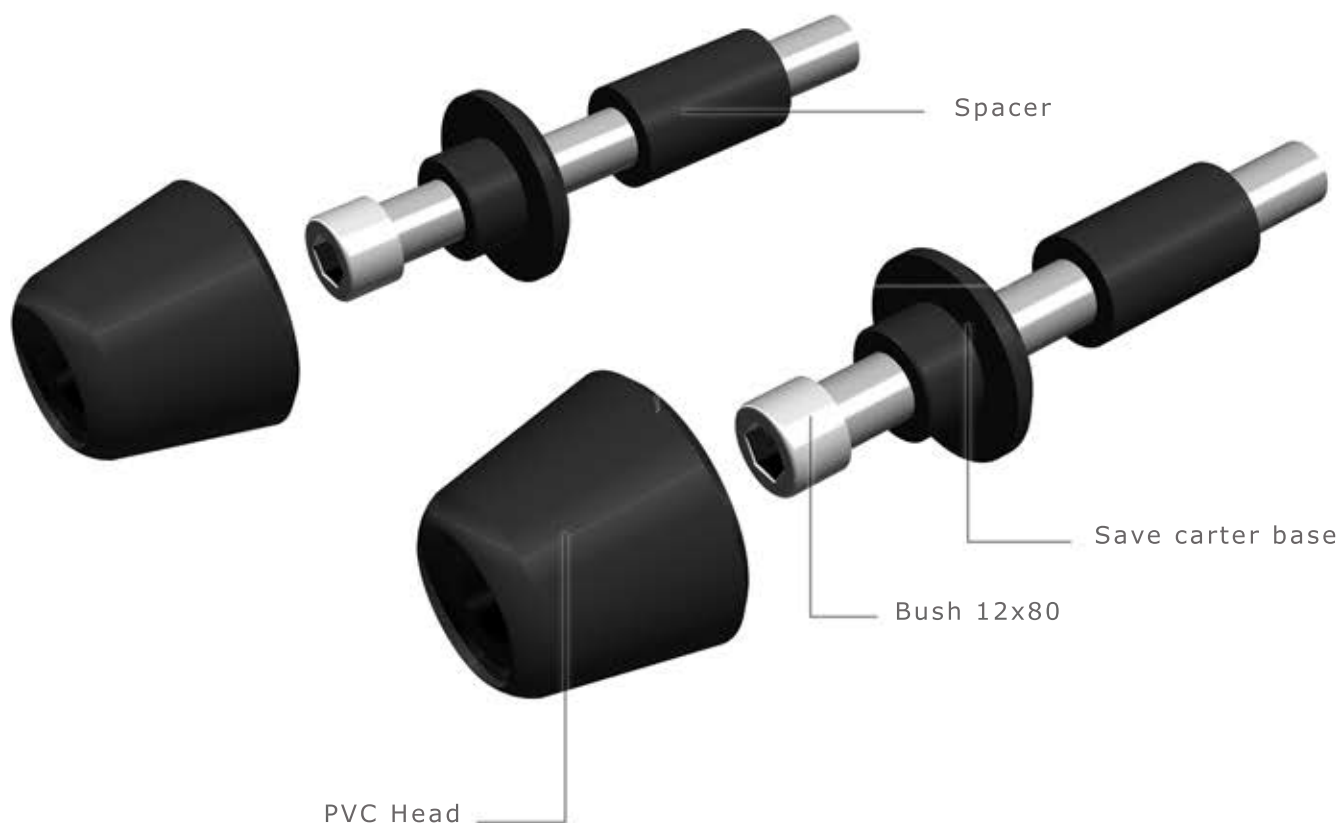
KIT SAVE CARTER MV AGUSTA BRUTALE

MB7101

WWW.BARRACUDAMOTO.COM

KIT

- X2. PVC HEAD
- X2. SAVE CARTER BASE
- X2. SPACER
- X2. BUSH 12X80



FIXING POINT ON MOTORBIKE



SEARCH AND FIND THE FIXING POINT ON THE MOTORBIKE BEFORE START THE MOUNTAIN PROCEDURE, USE THE SPECIFIC THICKNESS AND BOLTS LIKE DESCRIBED IN THE PICTURE (SO YOU CAN GET THE RIGHT PROMINENCE FROM THE MOTORBIKE).
FIX THE PVC HEAD AFTER FIXED AND TIGHTEN ALL THE KIT ONLY.